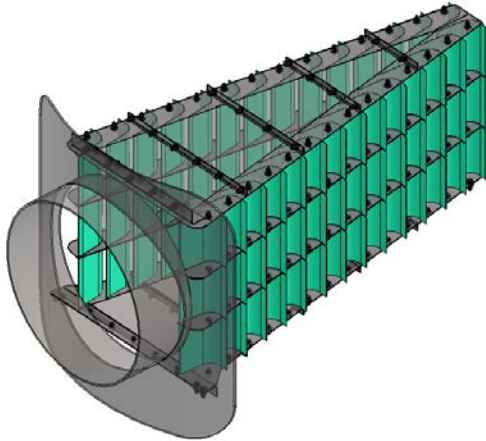


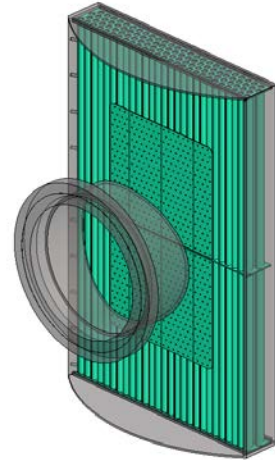
AIROL® INLET DIFFUSER TYPES

Multi-Vane Inlet Diffuser™



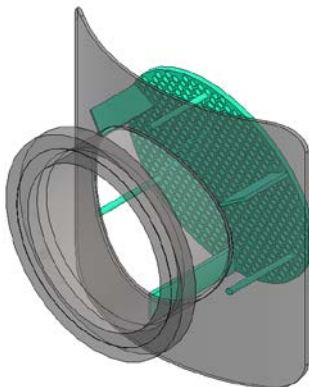
- For vertical vessels with vertical flow.
- For low inlet velocity head.
- Excellent for achieving uniform vertical vapor distribution.
- Can be installed into existing vessel in sections through 24" manway.
- Low pressure drop (0.5-1.0" wc).

Multi-Pipe Inlet Diffuser™ with Rectangular Perforated Plate Inlet



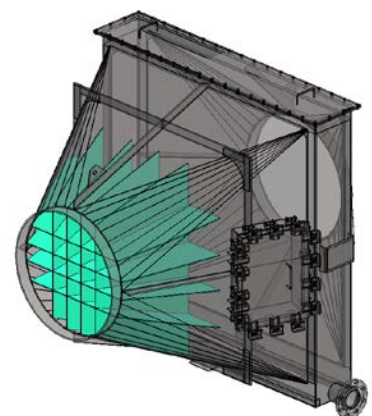
- For vertical vessels with in-line design.
- Good inlet coalescing and pre-separation of mist.
- For moderate to high inlet velocity head.
- Excellent vapor expansion for downstream 2nd stage chevrons.
- Good liquid / gas contacting (scrubbing).
- Moderate pressure drop.

Perforated Plate Inlet Diffuser™



- For vertical vessels with in-line design.
- For high inlet velocity head when liquid slugs may be present.
- Extremely rugged design.
- Moderate pressure drop.

Multi-Plate Inlet Diffuser™



- For horizontal flow in-line transitional housing.
- For moderate to high inlet velocity and/or following an inlet elbow.
- Allows for shorter inlet expansion length.
- Low pressure drop.